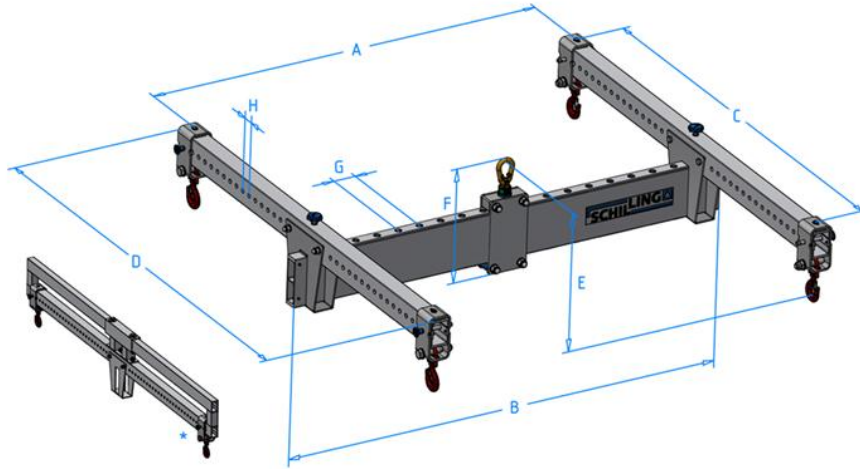


Aluminium Cross-Beam "H" Type

Load capacity 1.000 kg, 1.500 kg, 2.000 kg, 3.000 kg



item no.	load capacity	adjustment dimension / working width main beam		main beam length	adjustment dimension / working width cross beam		cross beam	construction height	total height	adjustment range main beam	adjustment range cross beam	weight
		min.	max.		min.	max.						
		A			B	C						
	kg	mm	mm	mm	mm	mm	mm	mm	mm	mm	mm	kg
1.000 kg												
53102020	1000	400	1800	2000	396	1896	1998	391	495	100	50	99
53102030	1000	400	1800	2000	396	2896	2998	391	495	100	50	115
53103020	1000	400	2800	3000	396	1896	1998	391	495	100	50	113
53103030	1000	400	2800	3000	396	2896	2998	391	495	100	50	129
53104020	1000	400	3800	4000	396	1896	1998	391	495	100	50	127
53104030	1000	400	3800	4000	396	2896	2998	391	495	100	50	143
53105020	1000	400	4800	5000	396	1896	1998	391	495	100	50	141
53105030	1000	400	4800	5000	396	2896	2998	391	495	100	50	157
1.500 kg												
53152020	1500	400	1800	2000	396	1896	1998	391	495	100	50	99
53152030	1500	400	1800	2000	396	2896	2998	391	495	100	50	115
53153020	1500	400	2800	3000	396	1896	1998	391	495	100	50	113
53153030	1500	400	2800	3000	396	2896	2998	391	495	100	50	129
53154020	1500	400	3800	4000	396	1896	1998	391	495	100	50	127
53154030	1500	400	3800	4000	396	2896	2998	391	495	100	50	144
53155020	1500	400	4800	5000	396	1896	1998	391	495	100	50	141
2.000 kg												
53202020	2000	400	1800	2000	396	1896	1998	391	495	100	50	99
53202030	2000	400	1800	2000	596	2896	3170	391	641	100	50	177 *
53203020	2000	400	2800	3000	396	1896	1998	391	495	100	50	113
53203030	2000	400	2800	3000	596	2896	3170	391	641	100	50	192 *
53204020	2000	400	3800	4000	396	1896	1998	391	495	100	50	127
53204030	2000	400	3800	4000	596	2896	3170	391	641	100	50	206 *
3.000 kg												
53302020	3000	400	1800	2000	396	1896	1998	442	503	100	50	105
53302030	3000	400	1800	2000	596	2896	3170	443	649	100	50	183 *
53303020	3000	400	2800	3000	396	1896	1998	442	503	100	50	118
53303030	3000	400	2800	3000	596	2896	3170	443	649	100	50	197 *

* with reinforced cross beams